

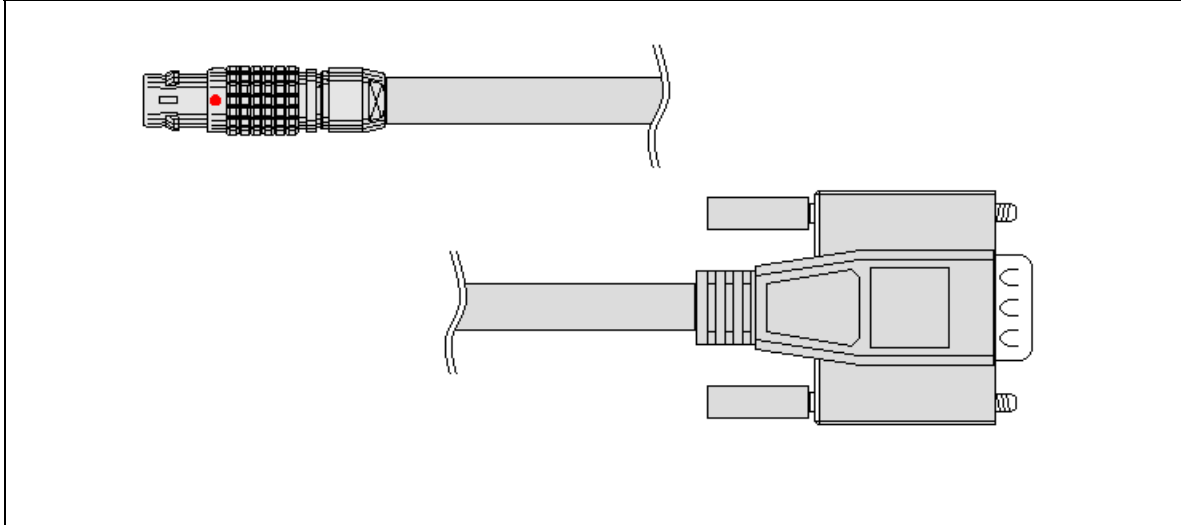
Data Acquisition Products

Description

Lemo 5 way to RS-232

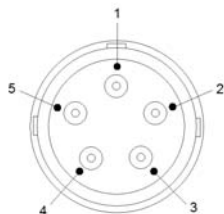
Part Number

RLVBCAB01



Length Approx 2 Metres

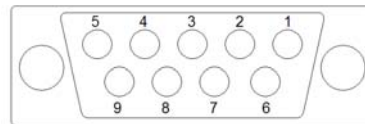
Lemo Pin	9 Way D-Type Pin
1	2
2	3
3	
4	
5	
Chassis	5



5 PIN LEMO PLUG

VIEW FACING PINS

LEMO PART NO. FGG.0B.305 CLAD52Z



9 PIN D Female

VIEW FACING SOCKETS